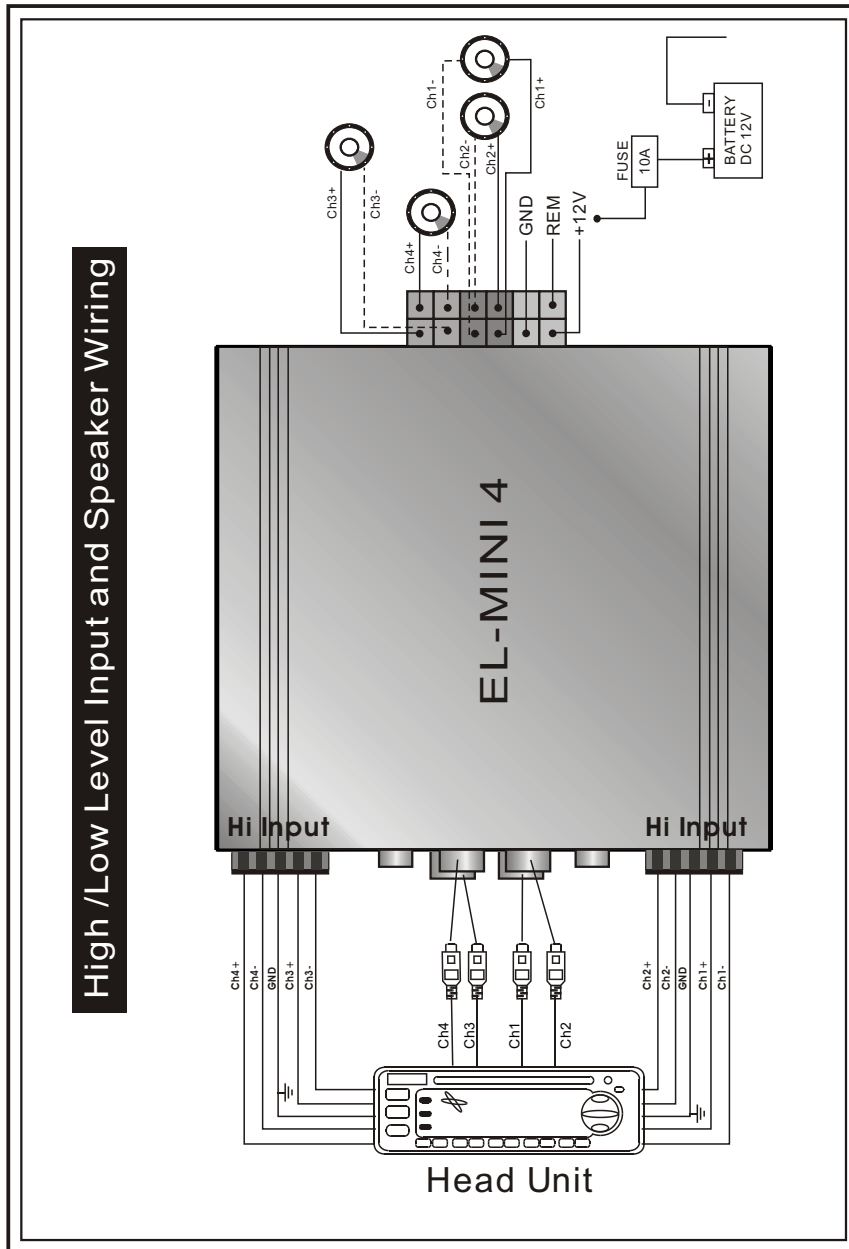


# 4 Channel High Power Amplifier



## EL-MINI 4

### USER'S MANUAL



# SPECIFICATIONS

Features	Condition	IC circuit
	Model number	4 CHANNEL
RMS output at 1 KHz @W/A 4 ohms, +14.4v supply	RMS power at 4 ohms	80W(20W x4ch)
RMS output at 1 KHz @ W/A 3 % THD	Bridge(4 Ohm)	N/A
Number Of Channels		4
Channel Separation	dB	> 80 dB
Freq. Response(+/- 3 dB)	Hz	20 - 20k
S/N Ratio @A/W 30k	dB	> 90 dB
High Pass Filter	Hz	100(CH 1/2/CH 3/4)
Bass boost	dB	N/A
High Level Input	V	1~6
Indicator	Power	o
	Protection	N/A
Protection Circuit	Short	o
Idle Current	A	0.3
Max Current	A	6

## FUTURES:

- Four Channel High Power Amplifiers
- Heavy Duty Aluminum Alloy Heats ink
- Continuously Variable Input Gain Control
- Frequency Response(20Hz~20KHz)
- High pass Crossover (100Hz, CH1/2/CH3/4)
- Chrome Plated RCA and speaker Level Inputs
- Remote Turn ON/Turn off Circuit
- Soft Turn-On Circuit
- LED Power Indicator

## Troubleshooting

Before removing your amplifier, refer to the list below and follow the suggested procedures, always test the speakers and their wires first.

**No Output** confirm th at all terminal strip connections are secure and tight, check both in-line , both the "+12V " and the "REMOTE" terminals must have +12V referenced to chassis ground.

Confirm that the audio signal source(car radio, equalizer, etc.) is connected and is supplying output signal. To check if the amplifier is supplying signal, unplug the RCA cables from the signal source (but leave them plugged into the amp ). Briefly tap the center pin of each of the disconnected RCA plugs with your finger, this should produce a noise (feedback ) in your speakers.

**Only one Channel Works** Confirm that all speaker connections are secure and tight.

Check the "BALANCE" control on the head unit ( or other source ) to verify that it is set to its midpoint.

If you are using the Low Level RCA Inputs, reverse the input plugs at the amplifier ( switch the R with the L), If the channel which is silent switches to other side, the problem is either in the head unit/other source or the connecting cables.

**Weak Output** Readjust the Input Sensitivity Control to better suit the input signal.

**Noise in the Audio** If the noise is a "whose" whose pitch follows the engine speed, confirm that the amplifier and any other signal sources (head unit, etc ) are properly grounded

If the noise is a "clicking" or " popping " noise whose rate follows the engine speed, this usually means that the vehicle is equipped with resistor sparkplugs and wires, or that the ignition is in need of service.  
Check the routing of the speaker and input wires to make sure they are not adjacent to wires which interconnect lights and other accessories.

## Precautions

Before you drill or cut any holes, investigate your car's layout very carefully. Take care when you work near the gas tank, fuel lines, hydraulic lines and electrical wiring.

Do not operate the amplifier when it is not mounted. Attach all audio system components securely within the automobile to prevent damage, especially in case of an accident.

Do not mount this amplifier so that the wire connections are unprotected or in a pinched condition, or likely to be damaged by nearby objects.

Before making or breaking power connections in your system, disconnect the vehicle battery. Confirm that your head unit or other equipment is turned off while connecting the input jacks and speaker terminals.

If you need to replace the power fuse, replace it only with a fuse identical to that supplied with the system. Using a fuse of different type or rating may result in damage to your system which isn't covered by the manufacturer's warranty.

## Electrical Wiring

When making electrical connections to the amplifier, please observe the following:

Wire the amplifier directly to the car battery.

For the ground connection, use the shortest possible wire to a good chassis ground point.

Wire the Remote connection to the remote turn-on lead of your equalizer or head unit, in some cases this may be the power antenna lead of the head unit.

## Fuses

Fuses protect both the amplifier and the electrical system. If your vehicle,

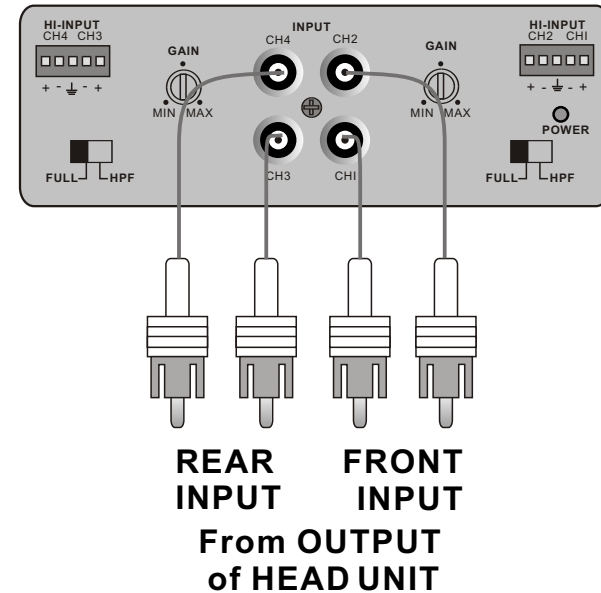
## Mounting the Amplifier

Mark the location for the mounting screw holes by positioning the amplifier where you wish to install it and use a scribe (or one of the mounting screws) inserted in each mounting hole to mark the mounting surface. If the mounting surface is carpeted, measure the hole centers and mark with a felt tip pen.

Drill pilot holes in the mounting surface for the mounting screws and insert the mounting screws into these holes. Tighten them securely.

Note: Be sure to take note of any wires, lines or other devices in your vehicle which may be located behind any mounting surface!

## Four Channel Amplifiers:



## Four Channel Amplifiers:

